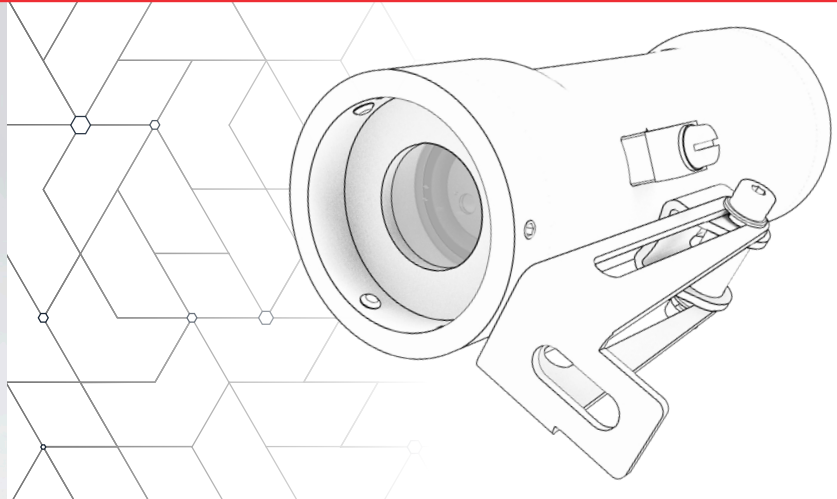




ESL 53LED-KS
with hinged bracket



TECHNICAL DATA:

- Ambient temperature: 50°C,
under intermittent operation: max. 70°C
- Operating voltage: 24 V AC/DC
- Power: 7 W LED

LIGHTING TECHNICAL DATA:

- Colour temperature: 5700 K
(other light colours available on request)
- Luminous flux: 500 lm
- Reflected beam angle: 18° or 30°

PROTECTION CLASS:

When correctly fitted, dust and water jet tight to IP 65 and EN 60 529/DIN VDE 0470 part 1

ESL 53LED-KS: For general use with hinged bracket

ESL 53LED-B: Special sterile version for flange attachment for fitting over flanges, collars, etc.

Universally applicable sight glass luminaire for use with combined sight and light ports (single-flange version) or for separate arrangements (two-flange version)

Compatible with round sight glass fittings similar to DIN 28120/DIN 28121, screw-type fittings similar to DIN 11851, as well as METAGLAS® and BioControl fittings

APPLICATION:

- Ideal for the chemical, pharmaceutical, biogas, and food industries
- For illuminating the interior of vessels, tanks, agitators, silos and other generally closed containers and reactors and in non-explosive environments

EASY INSTALLATION:

- The luminaire is fixed to the cover flange by a hinged bracket in the case of circular sight glass fittings.
- With screw-type sight glass fittings, the luminaire can be fastened with a flange adapter or with a Metaglas unit.

NENNWEITEN:

- Circular sight glass fitting similar to DIN 28120: from DN 25
- Circular sight glass fitting similar to DIN 28121: from DN 40
- Screw-type sight glass fitting similar to DIN 11851: from DN 50

OPERATION:

This luminaire is designed for continuous operations. As an alternative, it can also be supplied with a switch or pushbutton (see table on page 2).

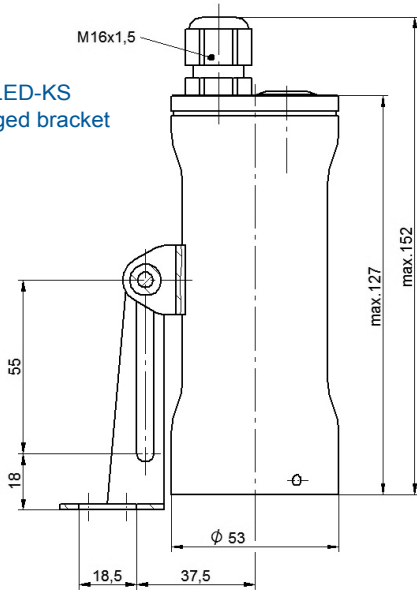
POWER SUPPLIES:

For 230 V AC / 24 V AC are available on request

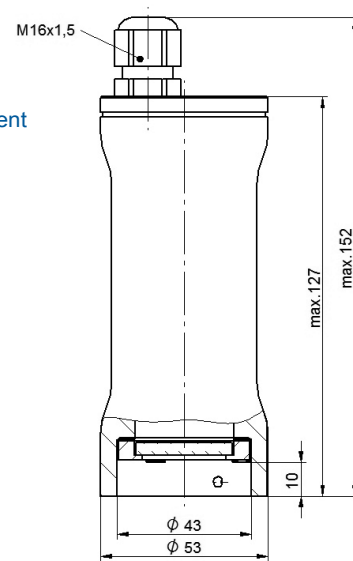


ESL 53LED-B
for flange attachment

ESL 53LED-KS
with hinged bracket



ESL 53LED-B
for flange attachment



MOUNTING COMPONENTS:

- For ESL 53LED-KS: The hinged bracket is included in the scope of delivery.
- For ESL 53LED-B: The mounting flange (internal flange or luminaire mounting with visible area) for mounting on a screw-type sight glass fitting must be ordered separately.

PARTS, CONSTRUCTION AND MATERIALS:

- Luminaire body: Stainless steel 1.4404
- Hinged bracket and flange adapter for screw-type sight glass fittings: Stainless steel 1.4301
- Connection cable: 3 m (3 x 0.75 mm²) factory-installed (other lengths available on request)

WEIGHT:

1.1 kg, including hinged bracket and cable

CONNECTION DATA:

Pos.	Type	Button	Switch	Hinged bracket	Flange adapter	Part no.
1	ESL 53LED-KS	with	without	with	without	3541.901.00
2	ESL 53LED-KS	without	without	with	without	3541.902.00
3	ESL 53LED-B	with	without	without	with	3541.903.00
4	ESL 53LED-B	without	without	without	with	3541.904.00
5	ESL 53LED-KS	without	with	with	without	3541.905.00
6	ESL 53LED-B	without	with	without	with	3541.906.00

ADDITIONAL EQUIPMENT (ONLY FOR ESL 53LED-B):

Pos.	Luminaire mounting without field of view	Part no.
1	Mounting flange DN 50, stainless steel (hinged bracket not required / slotted nut opening: 62 mm)	1356.045.00
2	Mounting flange DN 65, stainless steel (hinged bracket not required / slotted nut opening: 65 mm)	1356.078.00
3	Mounting flange DN 80, stainless steel (hinged bracket not required / slotted nut opening: 80 mm)	1356.077.00
Pos.	Luminaire mounting without field of view for MV (max. temperature: 135°C)	Part no.
4	for nominal diameter DN 80 (slotted nut opening: 94 mm)	0354.035.00
5	for nominal diameter DN 100 (slotted nut opening: 115 mm)	0354.036.00
6	for nominal diameter DN 125 (slotted nut opening: 138 mm)	0354.037.00

Order data (for example):

Lumistar Luminaire ESL 53-LED-KS, with pushbutton and reflected beam angle 18° or 30°, part no. 3541.901.00